



# DirectoValve® Manual Control Valve

## Model 6B

- Molded of corrosion resistant materials; all wetted parts are polypropylene, stainless steel and polyethylene.
- Maximum pressure of 150 PSI (10 bar).
- Large capacity, 12 GPM (47 l/min) at 5 PSI (0.34 bar) pressure drop.
- Molded-in mounting flange and ¼" NPT gauge port.

- Valves can be ganged together using hex nipple for multiple boom control.
- Easily repaired without removing valve from spray line.

### How to order:

Example: AA(B)6B  
(B) = BSPT



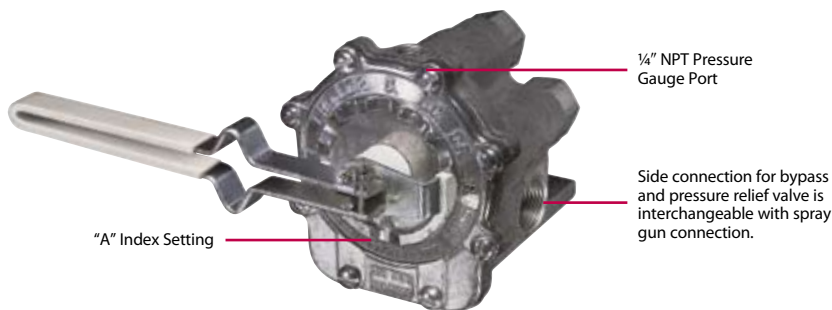
# TeeValve® Control Valves

## For Selective Control of Three-Section Boom Sprayers at Pressures up to 300 PSI (20 bar).

- Use to open any of three boom section lines in any desired combination.
- Raise lever to open, lower lever to close the valve without changing the indexed position.
- Aluminum construction with stainless steel and plastic internal parts for maximum corrosion resistance.

### How to order:

Example: AA17Y



## Model AA17

MODEL NUMBER	MATERIAL	MAXIMUM PRESSURE	INLET	(3) BOOM OUTLETS	ACCESSORY OUTLET
AA17Y	Aluminum, Polymer, SS	300 PSI (20 bar)	1" NPT	¾" (F)	¾" (F)
AA17L	Aluminum, Polymer, SS	300 PSI (20 bar)	¾" NPT	¾" (F)	¾" (F)



# TeeJet® Throttling Valves

For regulating flow in systems equipped with centrifugal pumps where sensitive regulation is required or to control flow in jet agitator return lines. Locknut holds pressure setting firmly in place.

## Type 23520



- Polypropylene construction for excellent chemical resistance.
- Pressures to 150 PSI (10 bar).
- ½" and ¾" NPT or BSPT connections.
- 10 PSI (0.6 bar) pressure drop at 6 GPM (37.8 l/min) flow rate for ½"; 18 GPM (69 l/min) for ¾" size.

### How to order:

Example: (B)23520-1/2-PP  
(B) = BSPT

## Type 12690



- Pressures to 125 PSI (9 bar).
- Available in Nylon, Celcon®, aluminum, steel and stainless steel.
- Choice of ½" or ¾" NPT connections.
- Maximum flow rate at 100 PSI (7 bar) is 56 GPM (212 l/min) for ½" size and 82 GPM (310 l/min) for ¾" size.

### How to order:

Example: 12690-1/2-NYB

## Type 12795



- Pressures to 150 PSI (10 bar).
- Available in brass, aluminum or ductile iron.
- Choice of 1", 1¼" or 1½" NPT connections.
- Flow rate at 40 PSI (3 bar) is 116 GPM (440 l/min) for 1" and 1¼" sizes and 172 GPM (651 l/min) for 1½" size.

### How to order:

Example: 12795-1