

QJS SERIES

MULTIPLE OUTLET NOZZLE BODIES



Modular Design for Virtually Unlimited Adaptability

The QJS nozzle body utilizes a modular design that allows for highly customized solutions to best fit your sprayer and spraying application needs. Choose the boom size, inlet position, outlet arrangement and tip shutoff mechanism that works best.

Stackable Nozzle Bodies For Wet and Dry Booms

- Multiple outlet, stackable nozzle body is ideal for mounted, trailed and self-propelled sprayers
- Wet boom configuration offered with choice of bottom or side inlet in five different boom diameters ($\frac{1}{2}$ ", 20 mm, $\frac{3}{4}$ ", 25 mm, and 1"); dry boom versions also available in three sizes ($\frac{1}{2}$ ", $\frac{3}{4}$ ", 1")
- Can be equipped with any combination of TeeJet ChemSaver® tip shutoffs including pneumatic, electric, manual or spring-loaded check valve
- Choose from one to four outlets in a variety of configurations
- Maximum operating pressure of up to 20 bar (300 PSI) depending on ChemSaver used
- Flow rating of up to 10.4 l/min (2.75 gpm) at 0.34 bar (5 PSI) pressure drop and 15.1 l/min (4.0 gpm) at 0.7 bar (10 PSI) pressure drop depending on ChemSaver used
- Wetted parts are nylon & Viton

TEEJET CHEMSAVER[®]

FOR OPTIMAL TIP SHUTOFF



55280

55280 e-ChemSaver[®]

Electric Solenoid Shutoff

Electrically operated shutoff uses solenoid opened, spring closed design for extremely fast remote tip shutoff.

- Normally closed design for safety and reliability
- 1/10 second response time
- Coil is rated at 12 Volt DC, 7 Watts, with 0.75 Amp maximum current draw
- Also available in 24 Volt DC
- 6.8 bar (100 PSI) maximum operating pressure at minimum voltage
- 2.27 l/min (0.6 gpm) at 0.34 bar (5 PSI) pressure drop and 3.0 l/min (0.8 gpm) at 0.7 bar (10 PSI) pressure drop
- Stainless steel and Viton wettable parts
- Optional 58480 mini-DIN cable available in various lengths and with a choice of electrical connectors

55300 Air ChemSaver

Air Shutoff

Air opened, spring closed operation provides positive shutoff across wide operating pressures.

- Minimum opening air pressure of 4.1 bar (40 PSI)
- Normally closed, piston-style design
- 10 bar (150 PSI) maximum liquid pressure
- Inlet connection swivels 360° and accepts standard push-to-connect fittings
- Materials exposed to air: Viton, Kynar[®] and polypropylene
- Materials exposed to liquid: Viton, Kynar[®] and polypropylene



55300



58577

58577 ChemSaver

Spring Loaded Shutoff

Standard diaphragm check valve offers a simple, spring operated design with fixed opening/closing pressure.

- Two-piece check valve and collar design with diaphragm allows for optimum performance
- 0.7 bar (10 PSI) opening pressure
- Wetted parts include Nylon
- 20 bar (300 PSI) maximum pressure rating

58140 ChemSaver[®]

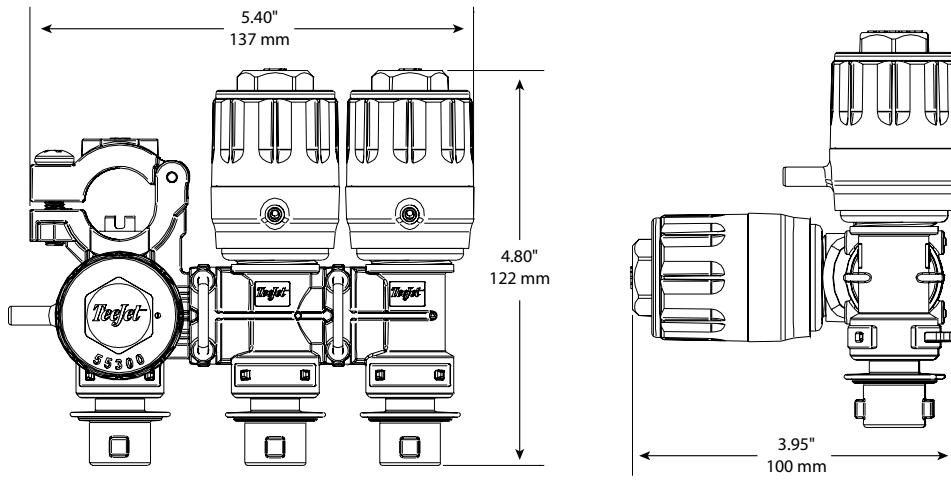
Manual Shutoff

- Manually operated shutoff allows simple, hand operated on/off control at the nozzle body.
- 10 bar (150 PSI) maximum pressure rating
- With cap in fully open (turn counterclockwise) position, functions like a standard 0.7 bar (10 PSI) diaphragm check valve
- With cap in full closed (turn clockwise) position, all flow through nozzle body is shutoff
- Disengagement spring prevents accidental closing of shutoff
- Nylon and stainless steel construction



58140

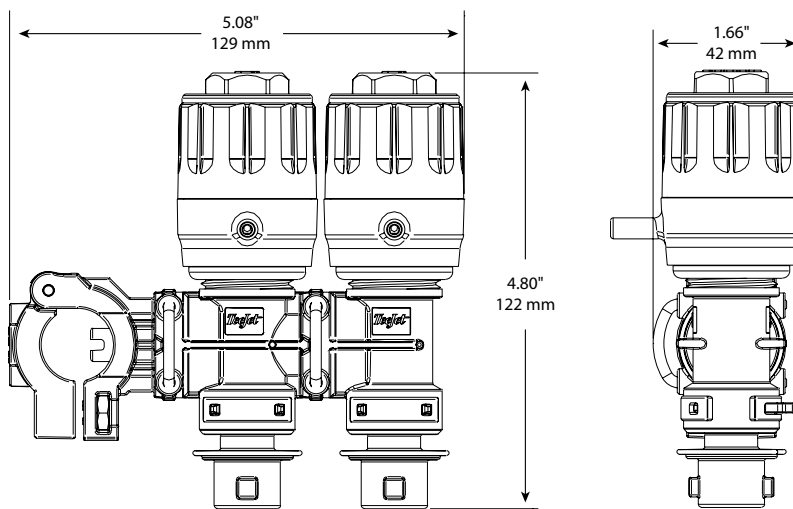
QJS-B3



QJS-B3-MEE



QJS-S2



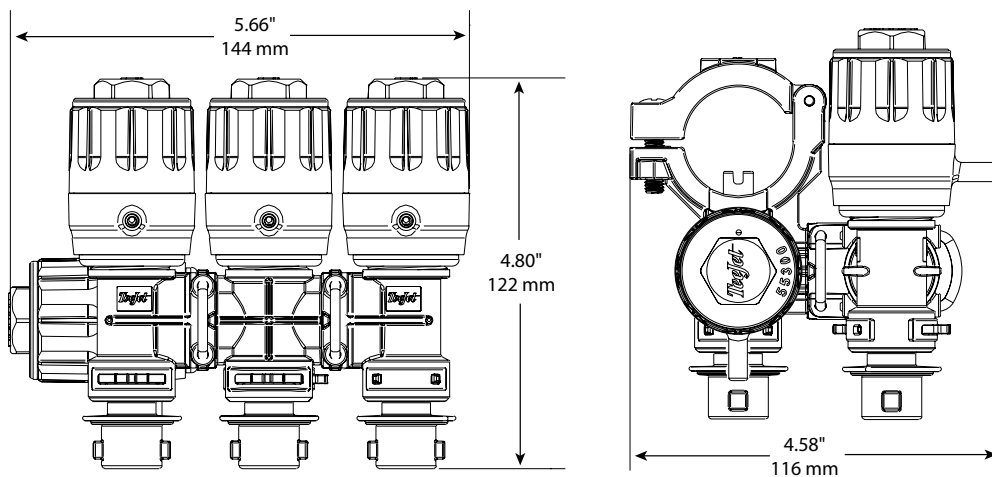
QJS-B2-MM



QJS-S2-EM



QJS-T4



QJS-S2-MC



How to Order QJS Series

QJS - T4R - 750 - L - AAAA

OUTLET CONFIGURATION	
S0	Side Inlet, Stacked Bodies, Split Eyelet Only
S1	Side Inlet, Stacked Bodies, 1 Outlet
S2	Side Inlet, Stacked Bodies, 2 Outlets
B0	Bottom Inlet, Stacked Bodies, Split Eyelet Only With Plug
B1	Bottom Inlet, Stacked Bodies, 1 Outlet
B2	Bottom Inlet, Stacked Bodies, 2 Outlets
B3	Bottom Inlet, Stacked Bodies, 3 Outlets
T4	Bottom Inlet, Parallel Bodies, 4 Outlets Including Outlet Below Boom
T4R	Bottom Inlet, Parallel Bodies, 4 Outlets Parallel to Boom, Additional Outlet on Right Side
T4L	Bottom Inlet, Parallel Bodies, 4 Outlets Parallel to Boom, Additional Outlet on Left Side

Note: Outlet orientation is viewed with split eyelet pointing forward

PIPE/HOSE SIZE	
20 mm	20 mm Tubing
25mm	25 mm Tubing
½	½" Pipe
¾	¾" Pipe
1	1" Pipe
500	½" Hose Barb
750	¾" Hose Barb
1000	1" Hose Barb

SHUTOFF TYPE FOR EACH POSITION	
C	Standard ChemSaver®
M	Manual ChemSaver
E	e-ChemSaver* (12VDC)
V	e-ChemSaver* (24VDC)
A	Air ChemSaver
Blank	No ChemSaver

Note: First position represents outlet nearest boom or far left hand position (with eyelet pointing forward)

* Preferred position of e-ChemSaver is location nearest to the pipe

DRY BOOM ORIENTATION	
L	Single Hose Barb Left Orientation
R	Single Hose Barb Right Orientation
2	Double Hose Barb
Blank	Wet Boom

Note: Hose barb orientation is viewed with split eyelet pointing forward



QJS-T4-AAAA



QJS-T4L-AAAA



QJS-T4R-AAAA



QJS-T4R-AAAA



TeeJet Technologies
Mølhavevej 2
DK 9440 Aabybro
www.teejet.com



LI-TJ147M-R1
© TeeJet Technologies 2012

A Subsidiary of  **Spraying Systems Co.**